

# AVS32

## 50% Free Area

### Product Data Sheet



## General Description

---

The AVS 32 is a small format louvre system providing a high free area. Specifically designed for use within the window industry that has been used in schools and higher education facilities, hospitals as well as a number of high profile residential and retail schemes. Manufactured in-house by our dedicated Louvres team.

## Technical Details

---

### Materials

- Extruded Aluminium alloy profiles to 6063 T6
- Profile thickness 1.5 mm
- Mechanically jointed with corner chevrons

### Performance

- Refer to BSRIA performance evaluation data on pages 2, 3 & 4
- 50% Free area based on louvre core (excludes top and bottom blade arrangements and any intervening blade carrying profiles)
- Mean Ce and CD Factors refer to performance data

### Dimensions

- 32 mm Blade Pitch
- Product depth 38 mm o/all
- Glazed-in outer frames to suit as 24, 28 and 32 mm standard (alternative glazing thickness' available upon request)
- Glazing rebate height 24 mm

### Options

- 24 or 28 and 32 mm Glazed-In Outer Frames as standard
- 3 Flanged Outer Frame Options
- Box Outer Frame
- Water Drainage Profile (recommended for exposed locations or where minimal water ingress is permissible)
- Fly screen - fitted with Stainless Steel as standard with alternative options available on request
- Birdguard
- Enhanced Security Option
- Blanking Panels - thermal (composite) or simple sheet blanking

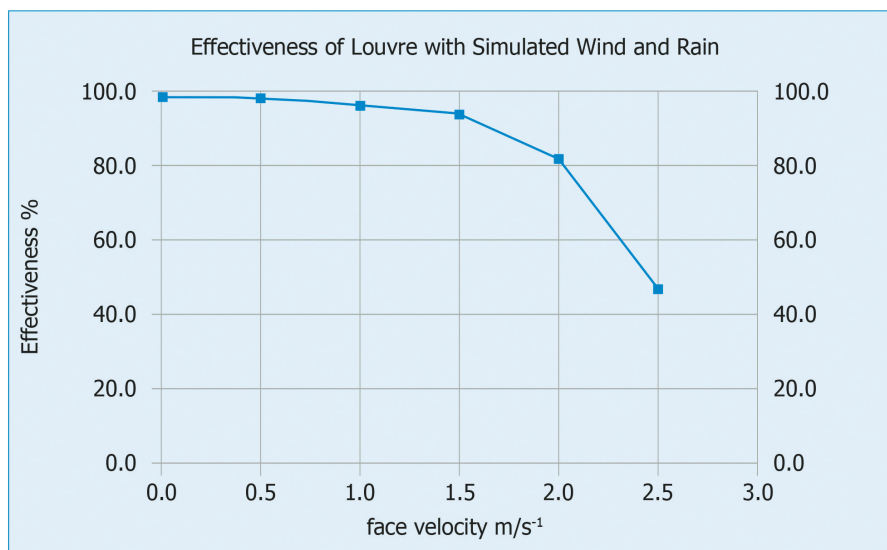
# AVS32

## Performance Data 1

Classification from design tests undertaken by BSRIA based on a 975 x 975 core louvre area (0.960m<sup>2</sup>).

Weathering Performance with Flyscreen:  
Date of test 06/10/2023

Atmospheric Temperature (°C)	Atmospheric Pressure (mbar)	Louvre Face Velocity (m s <sup>-1</sup> )	Airflow Volume (m <sup>3</sup> s <sup>-1</sup> )	Penetrated Flow Rate (lhr <sup>-1</sup> )	Effectiveness (%)	Classification
19.2	981.1	0.000	0.000	0.708	99.09	A
19.2	981.2	0.501	0.470	1.656	97.87	B
19.2	981.4	1.001	0.938	2.593	96.67	B
19.2	981.7	1.500	1.406	4.573	94.12	C
19.2	981.9	2.000	1.874	14.320	81.65	C
19.2	982.1	2.499	2.341	40.894	47.53	D



Weathering performance data includes water drainage profile. Performance testing is undertaken in line with BS EN 13030:2001 Ventilation for Buildings. Terminals. Performance testing of louvres subject to simulated rain.

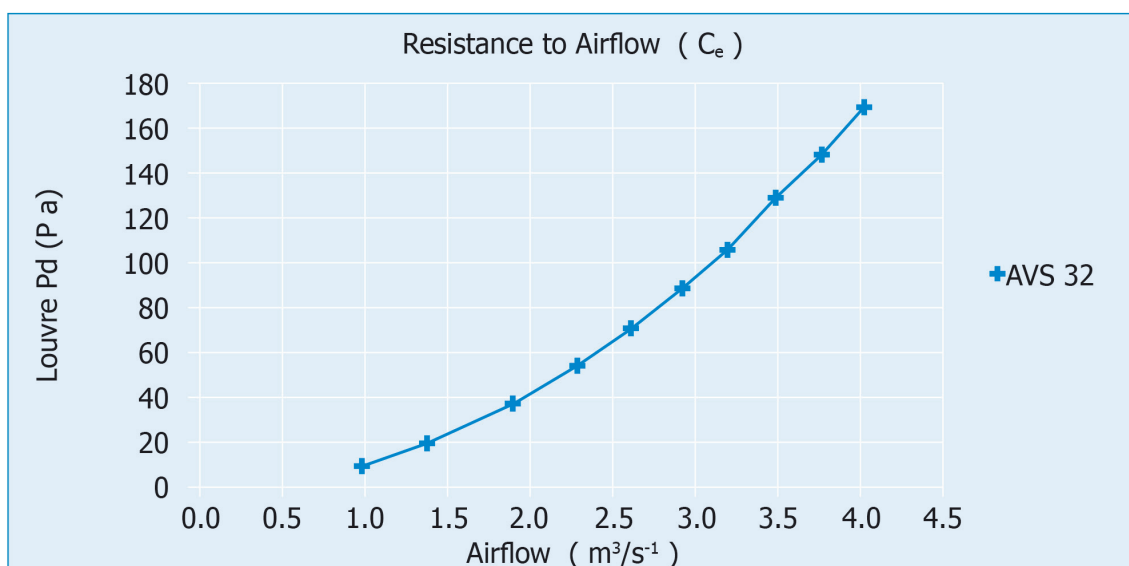
It should be noted that testing is undertaken on louvres of a specific size range only, generally 1m x 1m and so the performance data in relation to weathering is only applicable to a louvre of that size and under the conditions described in the test. Accordingly performance data should only ever be used as a guide to actual performance or to provide comparative performance between different louvre types.

# AVS32

## Performance Data 2

Intake Airflow Performance with Flyscreen:

Louvre pd Pascals (Pa)	Louvre Face Velocity (m s <sup>-1</sup> )	Air Flow Rate Test Airflow (m <sup>3</sup> s <sup>-1</sup> )	Theoretical Volume (m <sup>3</sup> s <sup>-1</sup> )	Coefficient C <sub>e</sub>
10.0	1.047	0.981	3.887	0.253
20.5	1.495	1.401	5.551	0.252
37.5	2.021	1.893	7.507	0.252
53.5	2.431	2.278	8.967	0.254
70.8	2.789	2.614	10.315	0.253
88.2	3.113	2.917	11.513	0.253
105.0	3.394	3.180	12.562	0.253
128.0	3.719	3.484	13.870	0.251
148.0	4.008	3.756	14.914	0.252
170.0	4.278	4.009	15.984	0.251
mean C <sub>e</sub>				0.253
Class				3

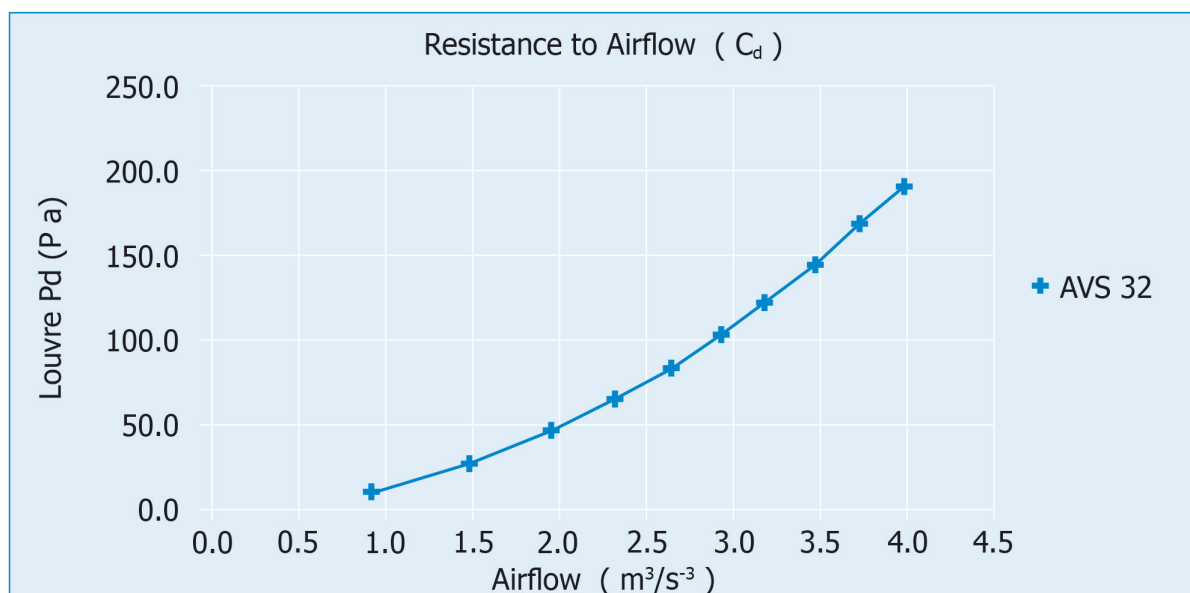


# AVS32

## Performance Data 3

Extract Airflow Performance with Flyscreen:

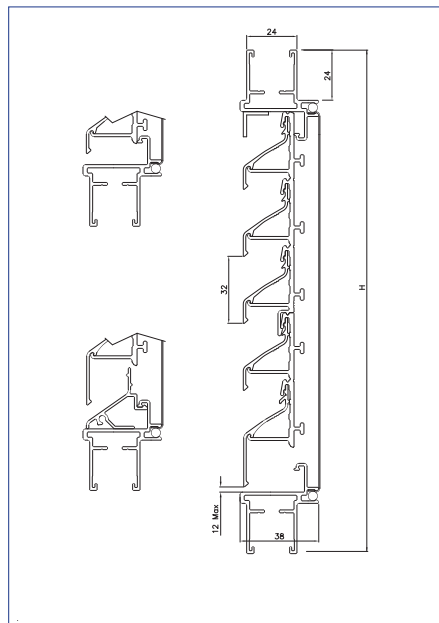
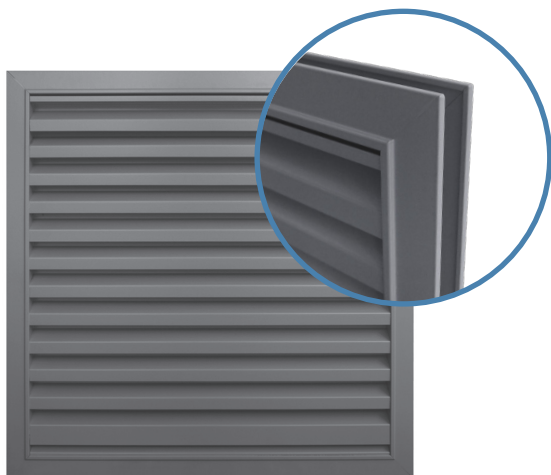
Louvre pd Pascals (Pa)	Louvre Face Velocity (m s <sup>-1</sup> )	Air Flow Rate Test Airflow (m <sup>3</sup> s <sup>-1</sup> )	Theoretical Volume (m <sup>3</sup> s <sup>-1</sup> )	Coefficient C <sub>e</sub>
10.0	0.969	0.908	3.806	0.238
26.6	1.579	1.479	6.208	0.238
46.0	2.073	1.942	8.163	0.238
64.4	2.469	2.313	9.659	0.239
83.6	2.810	2.633	11.005	0.239
103.0	3.121	2.924	12.216	0.239
122.0	3.391	3.177	13.295	0.239
145.0	3.700	3.467	14.494	0.239
168.0	3.981	3.730	15.601	0.239
192.0	4.247	3.980	16.678	0.239
mean C <sub>e</sub>				0.239
Class				3



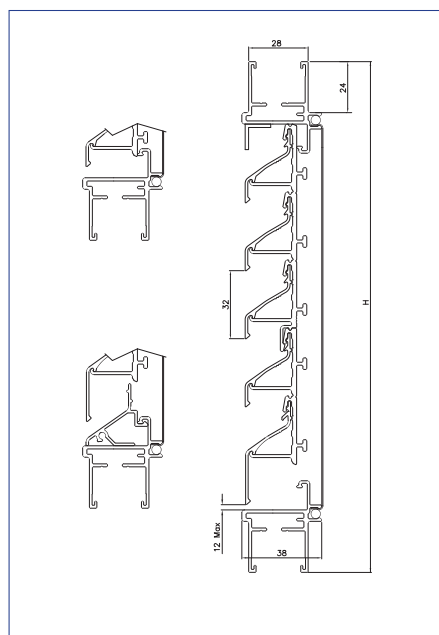
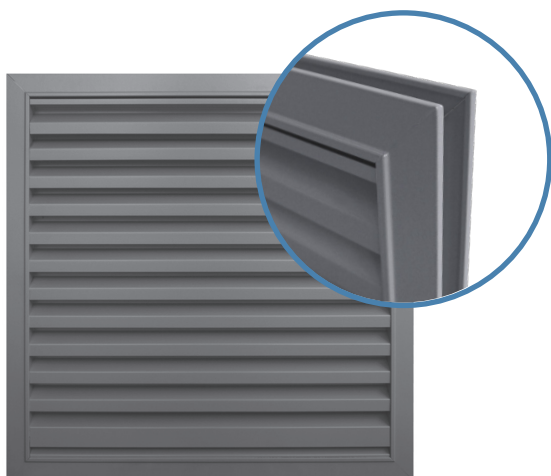
# AVS32

## Product Variants

### AVS32 GL24



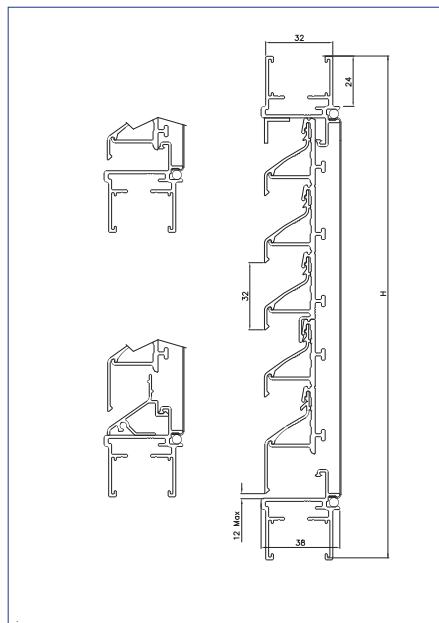
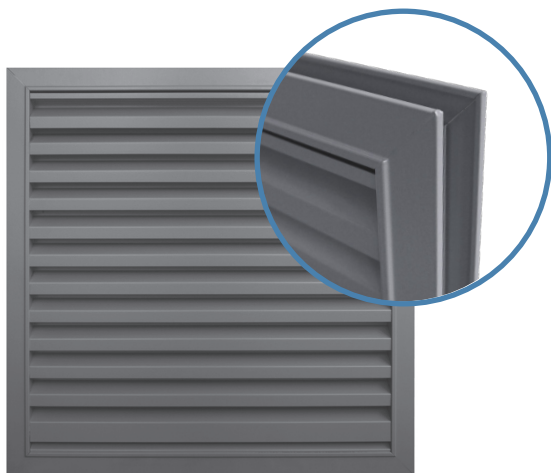
### AVS32 GL28



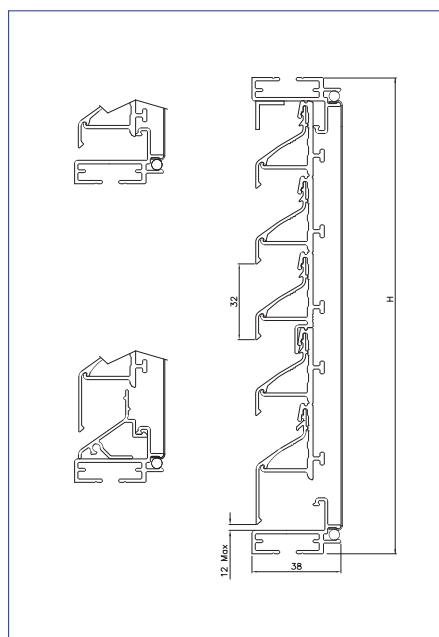
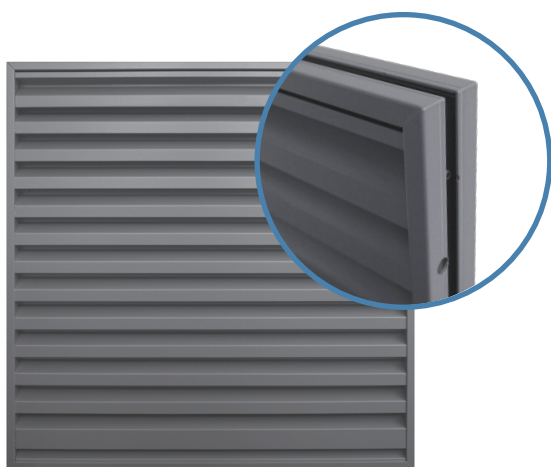
# AVS32

## Product Variants

### AVS32 GL32



### AVS32 BF

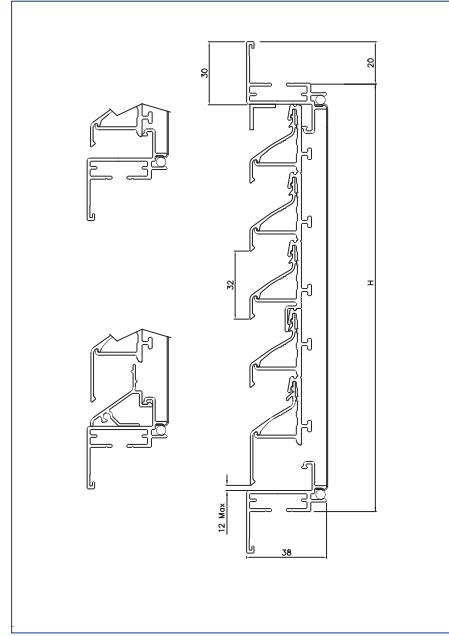
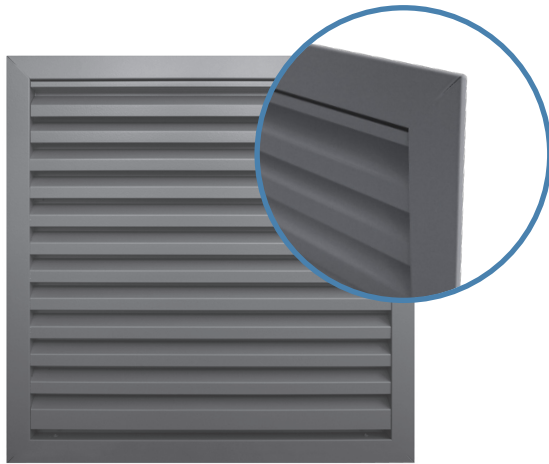


# AVS32

## Product Variants

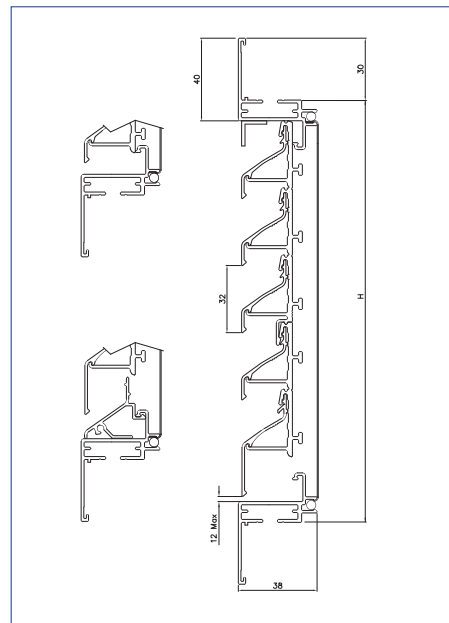
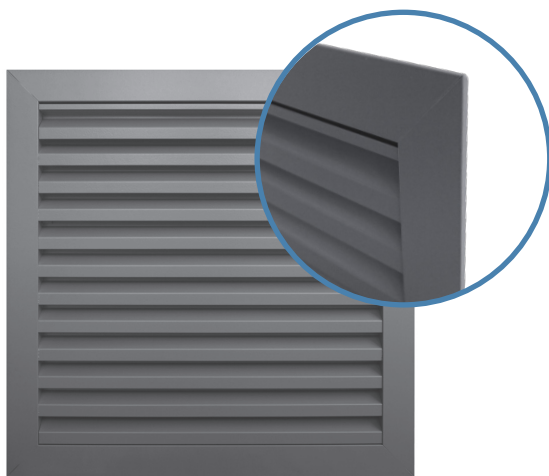
### AVS32 FL

---



### AVS32 EXFL

---



# AVS32

## Product Variants

### AVS32 EXXFL

---

