

FINISH
Facades

XPAN
EXTRUDED ALUMINIUM PANELS

EXTRAORDINARY ALUMINIUM FACADES



WHAT XPAN IS

Unique cladding panels and louvre profiles, installed as part of a rainscreen, ventilated facade system.

Precise perfection. XPAN is an aluminium facade range which offers extremely strong impactful profiles. Within the XPAN family extruded aluminium panels can be combined to create the most striking finishes for every sector.

The end result... dynamic facades which are easy to create and straight forward to install.

WHERE XPAN IS USED

Suitable for any wall construction, XPAN features an innovative extruded aluminium fixing clip, which is the same for all panels and Louvre profiles.

This can be fixed straight back to vertical support rails, providing a lightweight engineered rainscreen or louvre system function.

APPLICATIONS

RAINSCREEN CLADDING
 INTERIOR CLADDING
 SOFFITS / CEILINGS
 BALCONIES
 PARAPETS
 FENCES

FINISH

Facades



0121 803 1900



ESTIMATING@FINISHFACADES.CO.UK

XPAN
 EXTRUDED ALUMINIUM PANELS

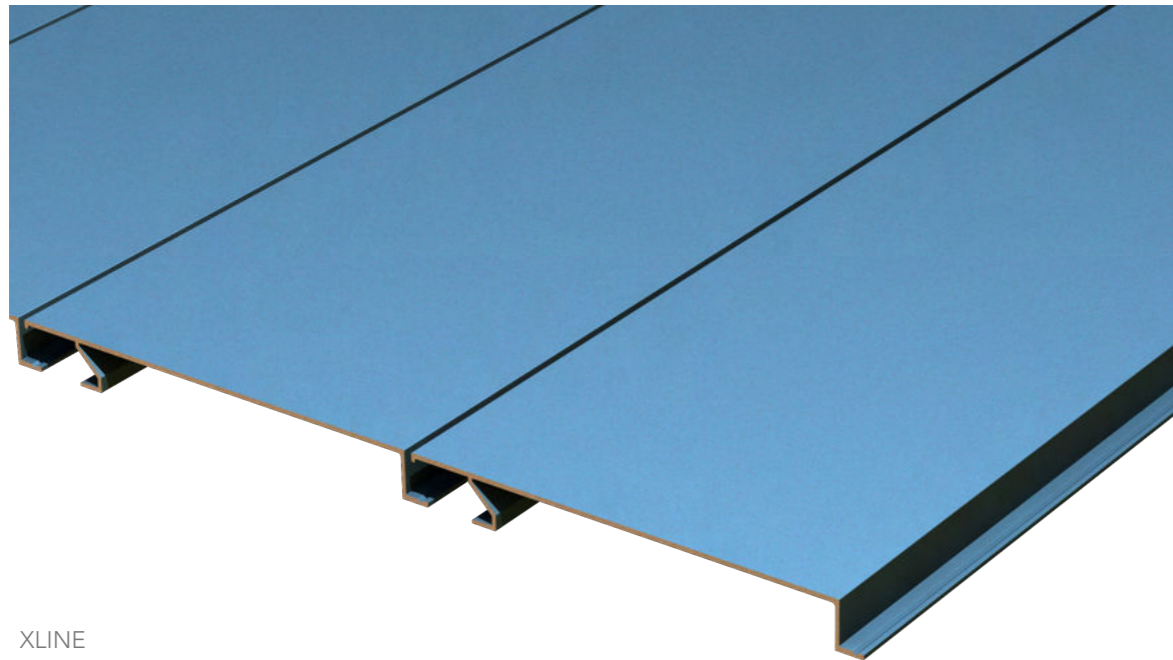
BENEFITS OF THE XPAN PROFILE RANGE



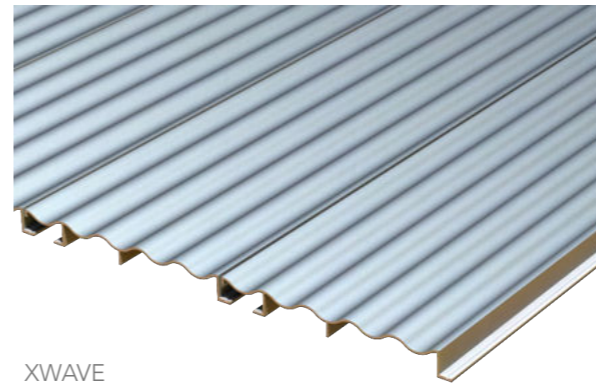
- ✓ Dynamic extrusion designs - add a custom feel as standard.
- ✓ Tested to CWCT at 1200mm vertical support rail fixing centres.
- ✓ Endless range of colour choice in Anodised (A1) or PPC (A2) finishes.
- ✓ Profile lengths up to 6000mm.
- ✓ Lightweight - perfect for new build or re-cladding projects.
- ✓ Mechanical secret-fix installation - as standard for all profiles.
- ✓ High impact resistance - perfect for low level areas.
- ✓ Wide spanning capabilities.
- ✓ Non-combustible and fully recyclable.



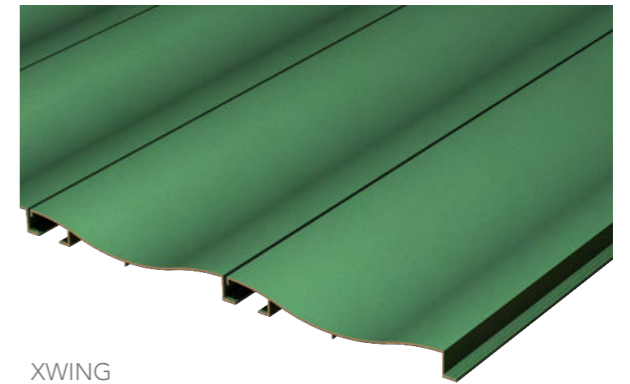
MEET THE FAMILY



XLINE



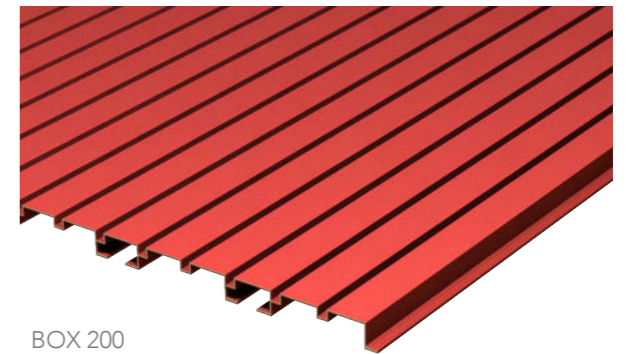
XWAVE



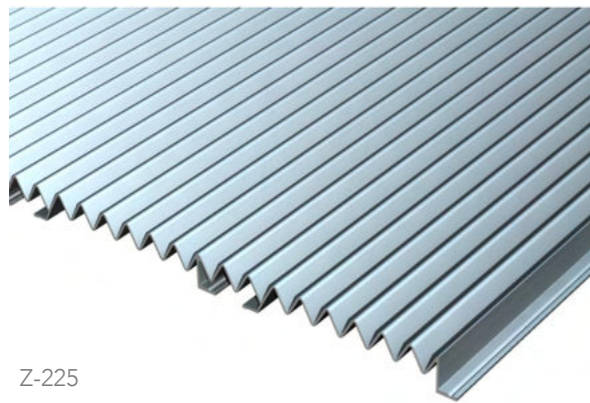
XWING



XRAIL



BOX 200



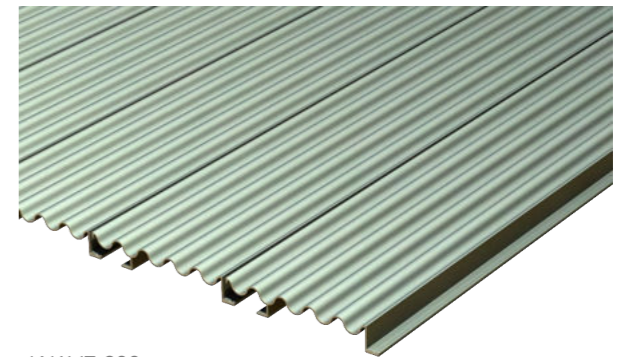
Z-225



XBRICK



XBRICK 2



WAVE 200

CLADDING PROFILES

Our extensive 'off the shelf' range of cladding profile designs provide the perfect metallic finish to any internal wall cladding or external facade design.

The original XLINE profile design provides a classic linear finish and is available in four individual panel heights which compliment each other perfectly. Contemporary dramatic wave designs can be achieved using our concave to convex XWING profile design, alternatively, the wavy contours of our XWAVE and XWAVE 200 profile designs offer an interesting shadow effect.

The grooves or deep recessed joints in our XRAIL, BOX 200 and XBRICK profile designs, provide an array of alternative panel course heights integrated into a larger module panel, aiding a quicker installation. Our dynamic Z225 profile design can add a dazzling feature appearance around window infills or feature band locations.

When combined together, the XPAN cladding profile range provide a 'custom' design, but without the 'custom' price tag.

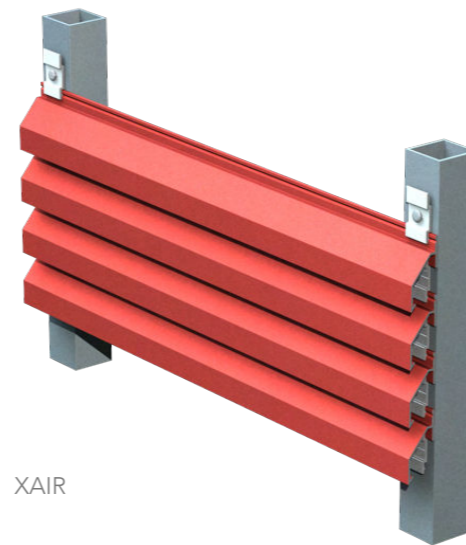
LOUVRES & SOLAR SHADING PROFILES

Used extensively for ventilated plant screening, or solar shading, our XAIR and XSHADE louvre profiles enable facade ventilation and aesthetically pleasing sun screens.

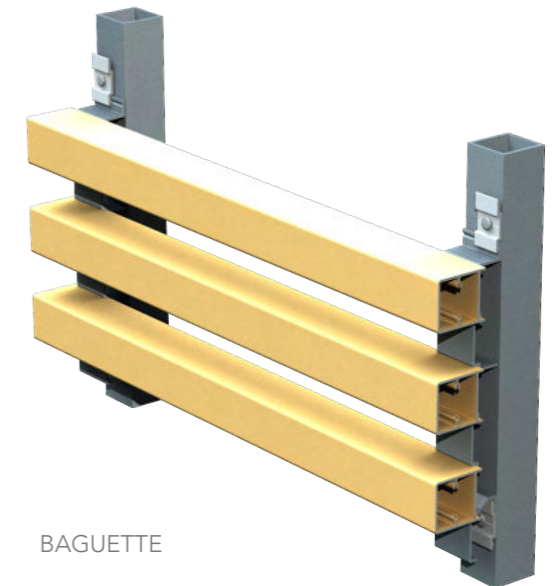
Our BAGUETTE sun screen solution, made entirely of extruded aluminium profiles, is light, simple and intuitive - providing a smart screen for your facade.

CUSTOM PROFILES

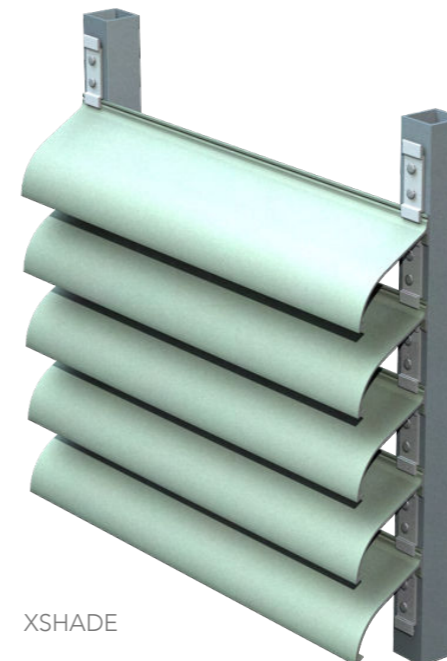
We continue to develop and add a vast array of custom profiles to our XPAN range. Don't hesitate to contact us should you have your own profile design in mind.



XAIR



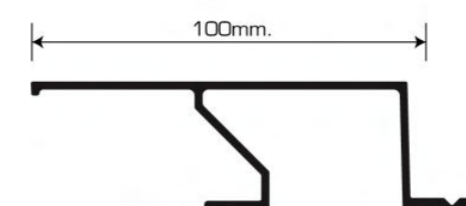
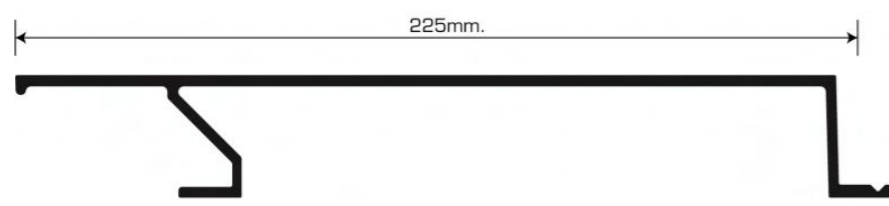
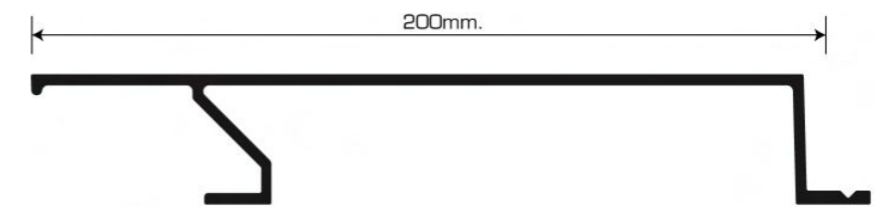
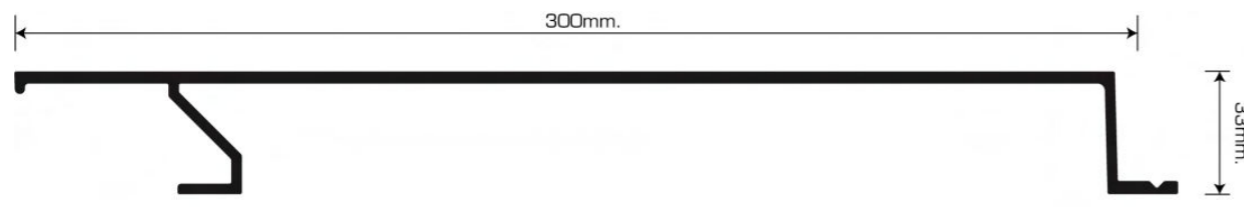
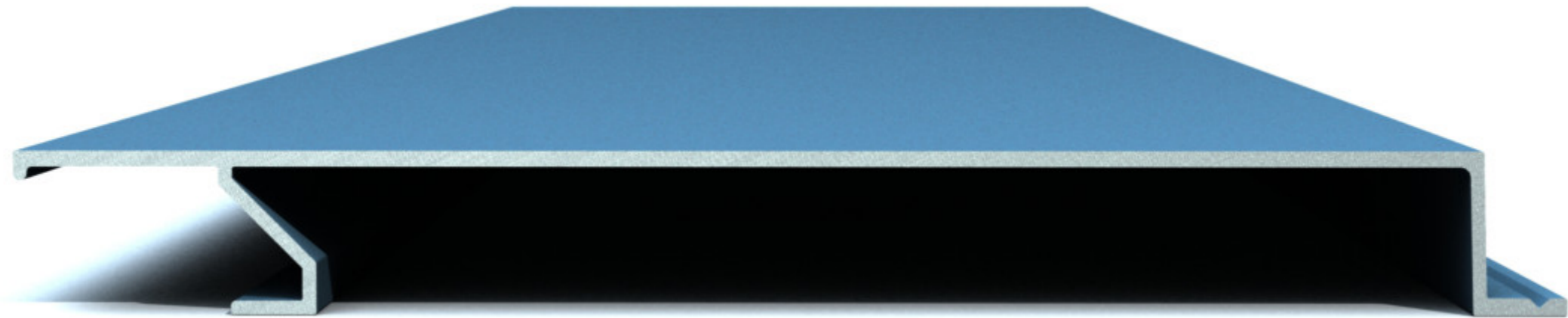
BAGUETTE



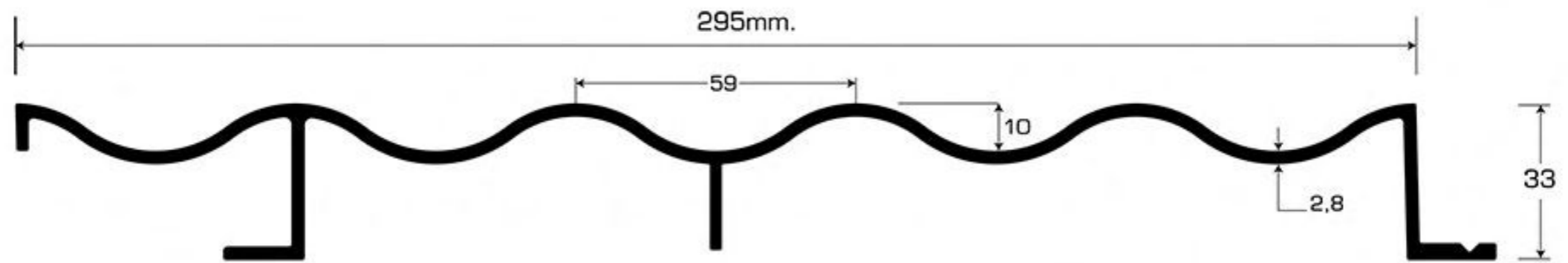
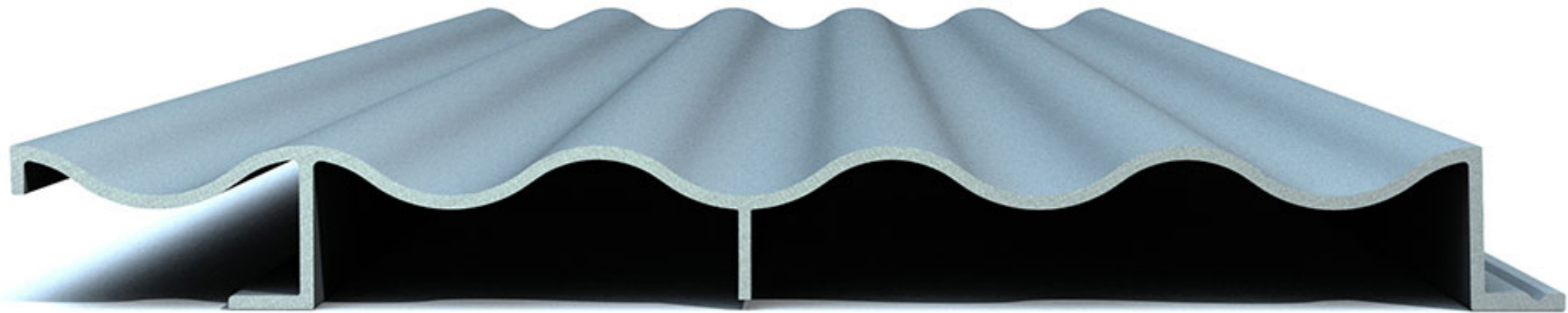
XSHADE



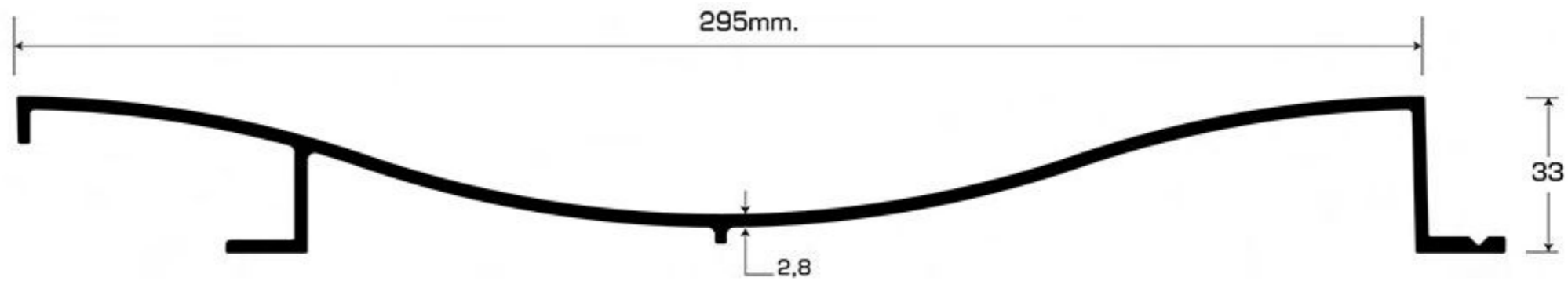
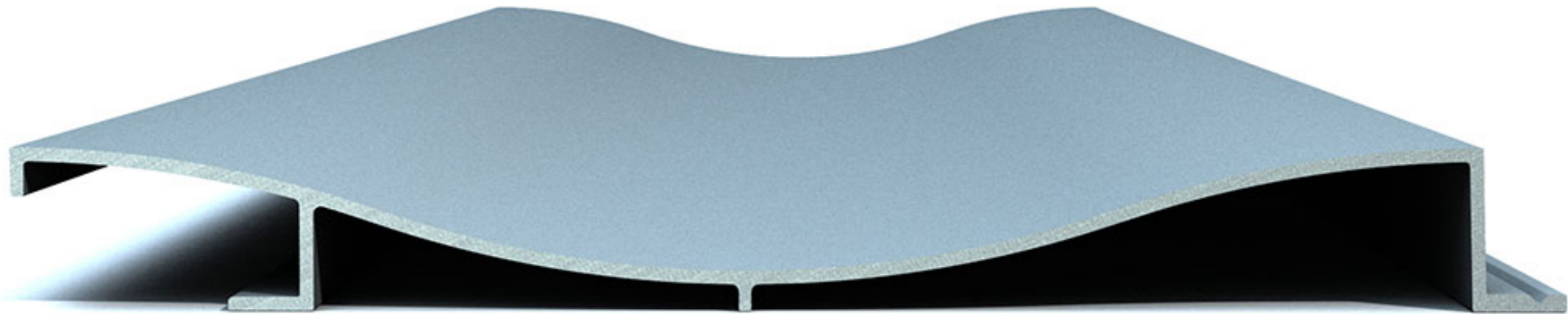
XLINE



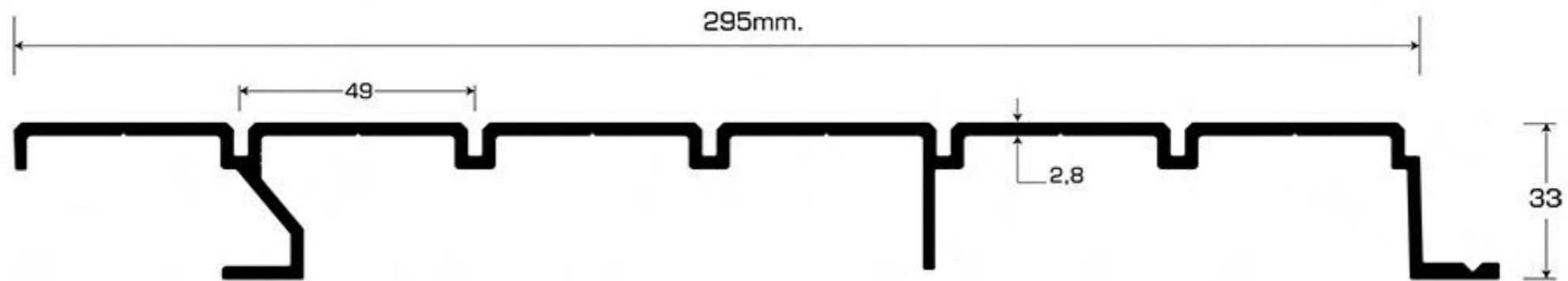
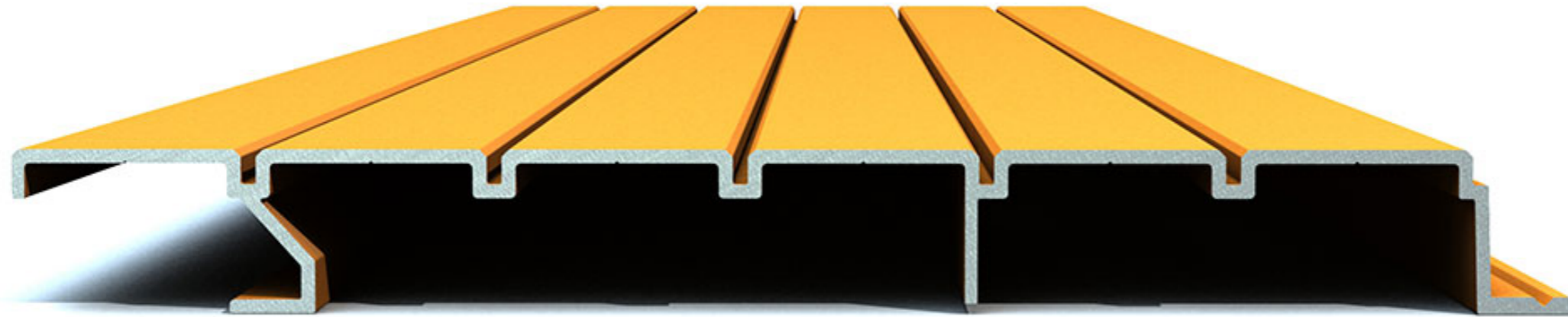
XWAVE



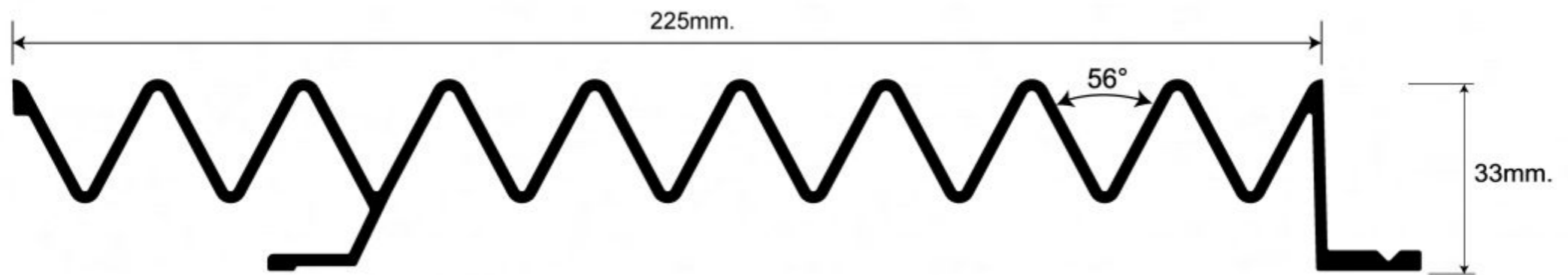
XWING



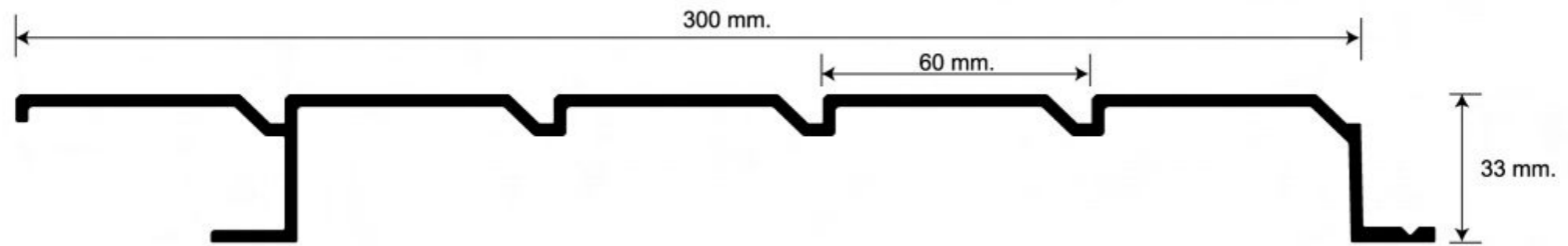
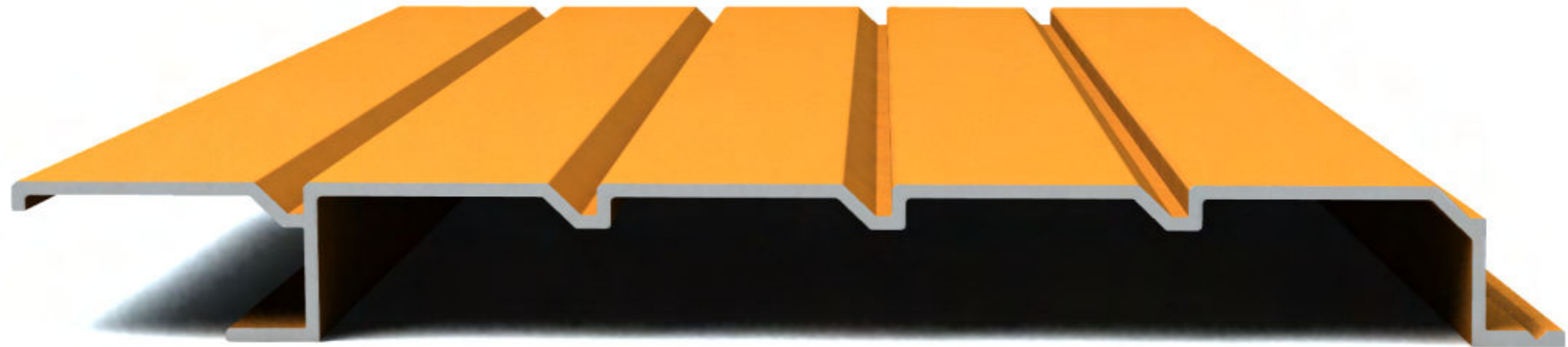
XRAIL



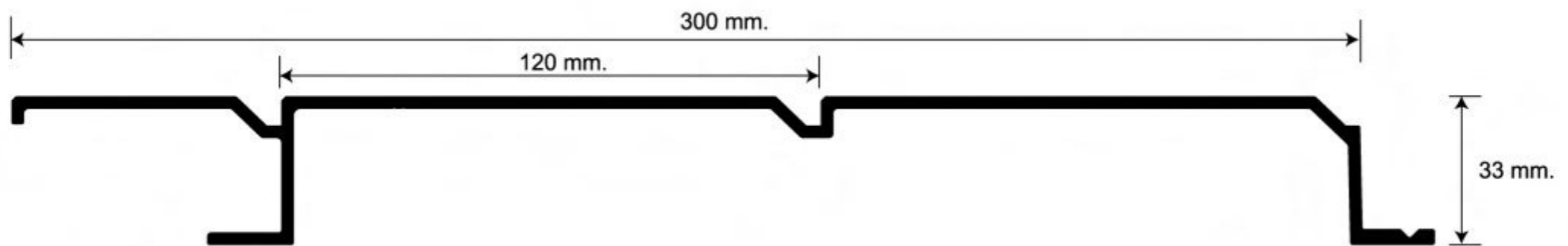
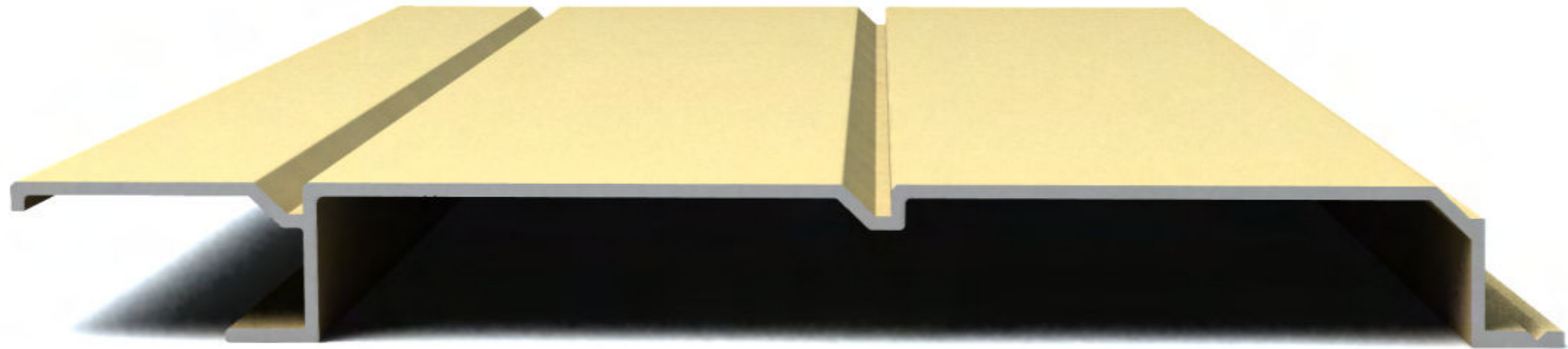
Z 225



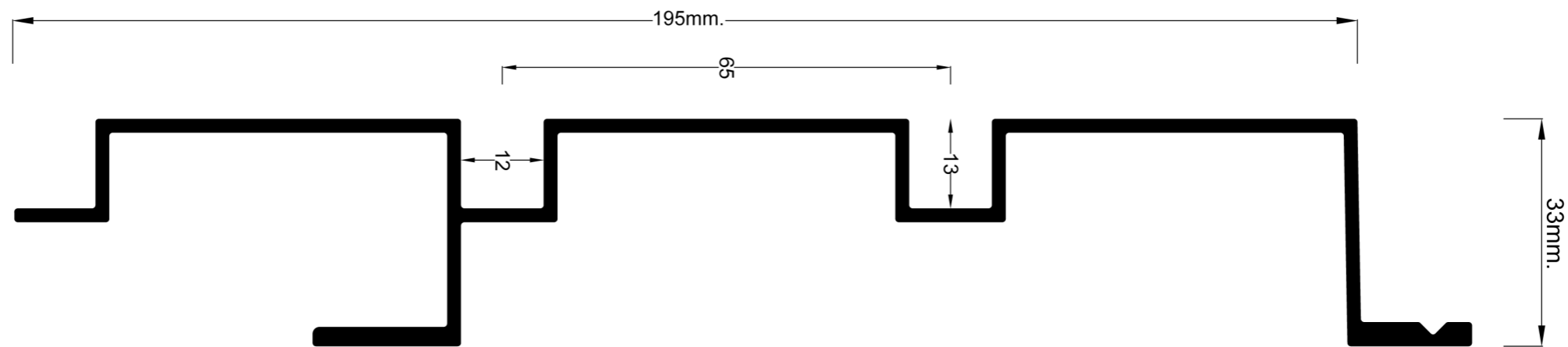
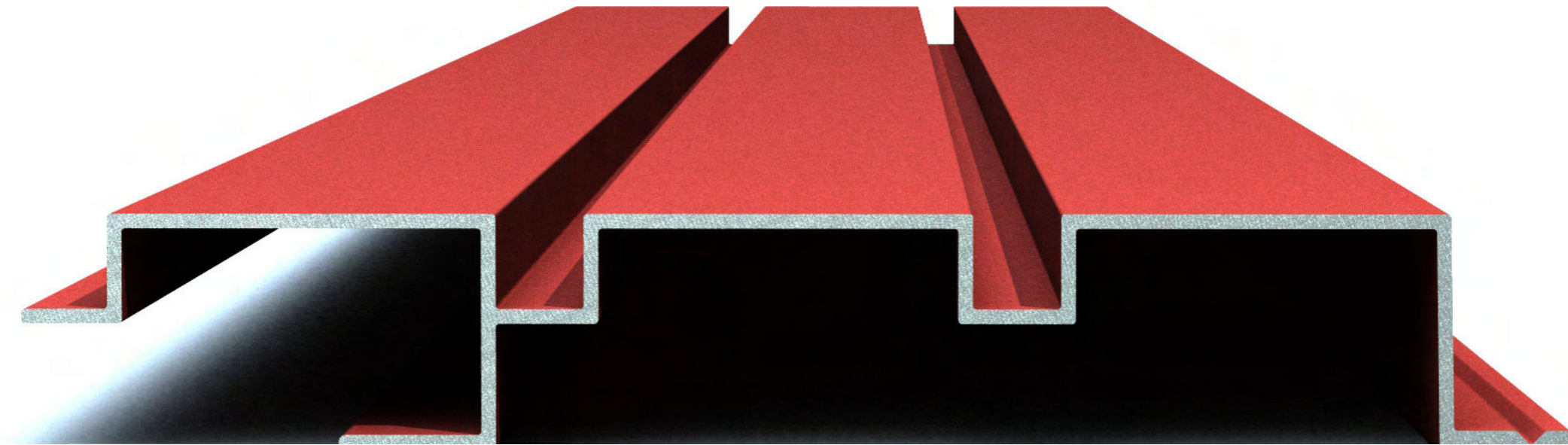
XBRICK



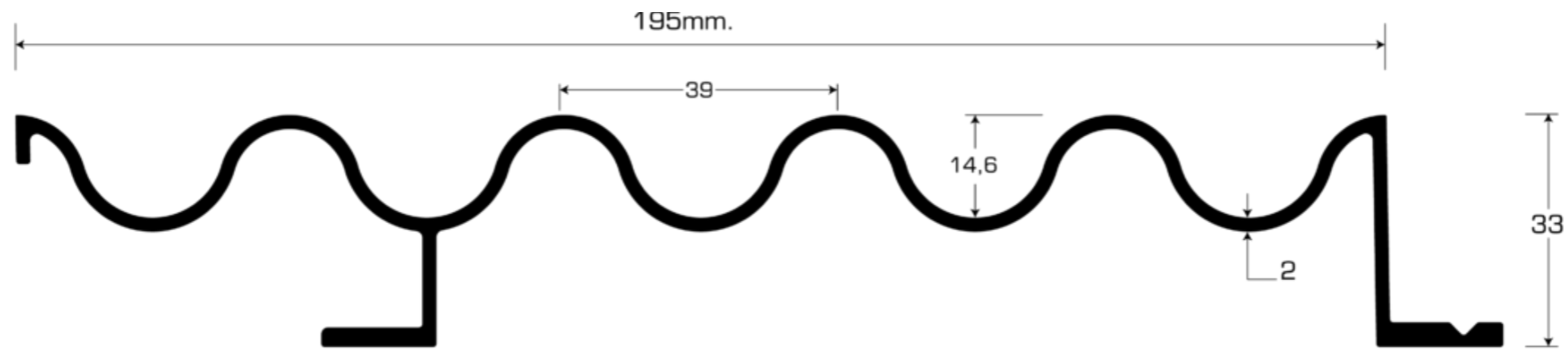
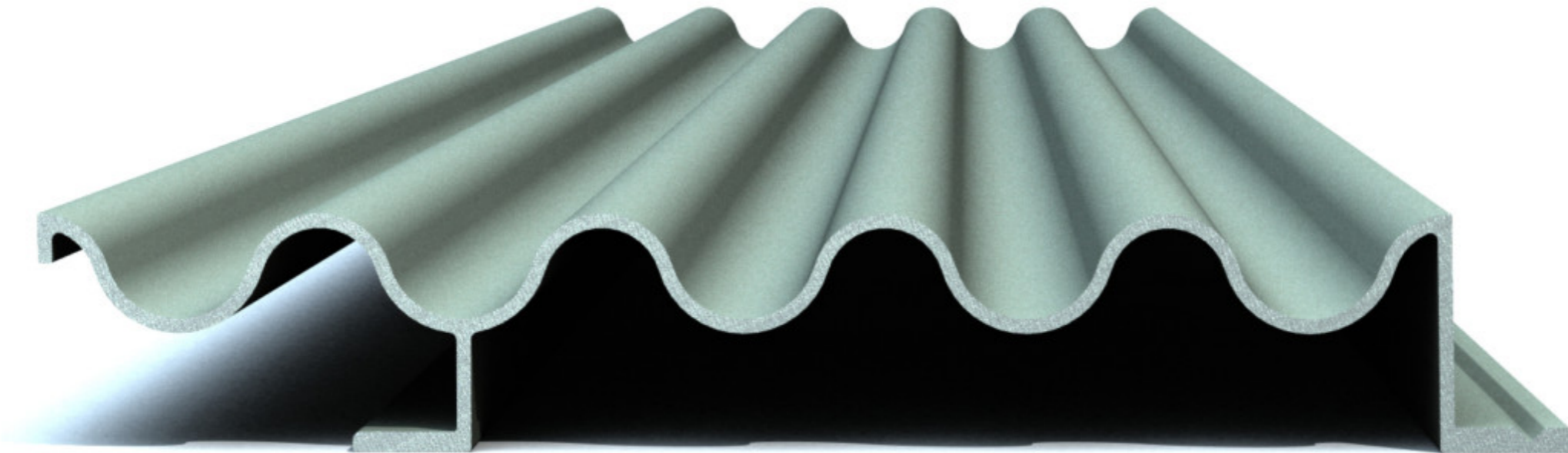
XBRICK 2

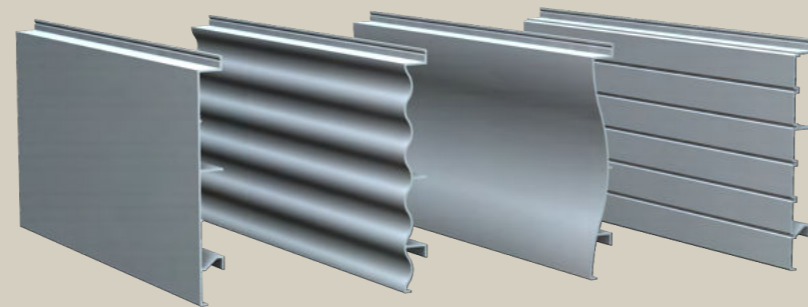
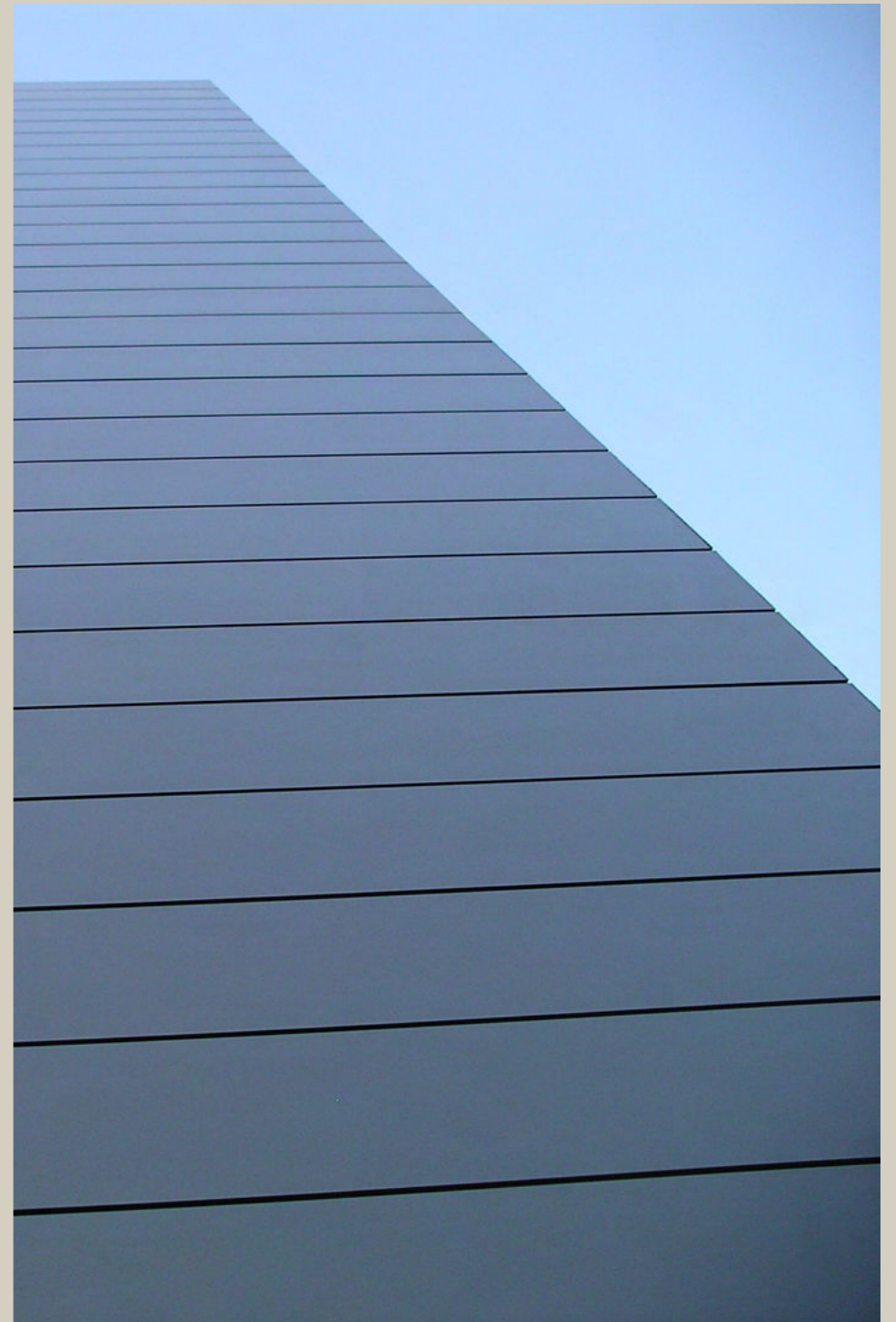


BOX 200

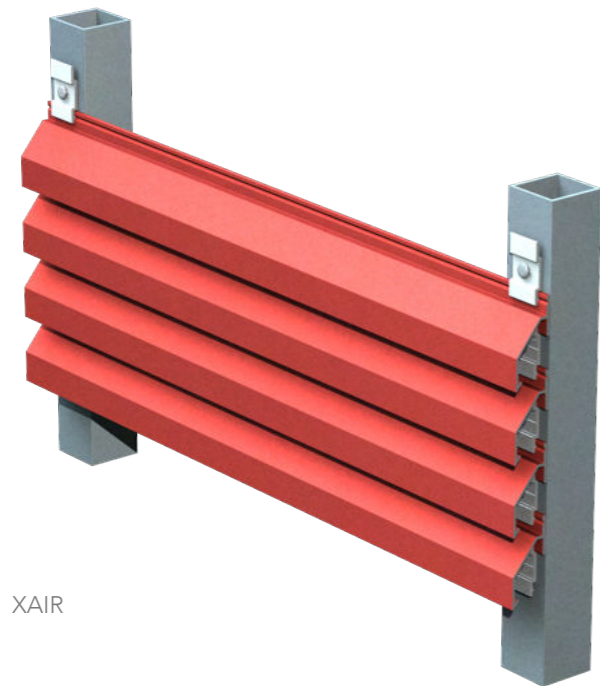


XWAVE 200

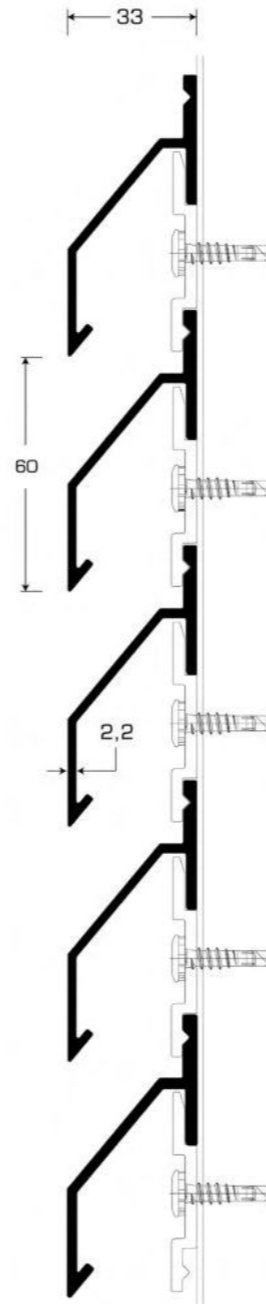




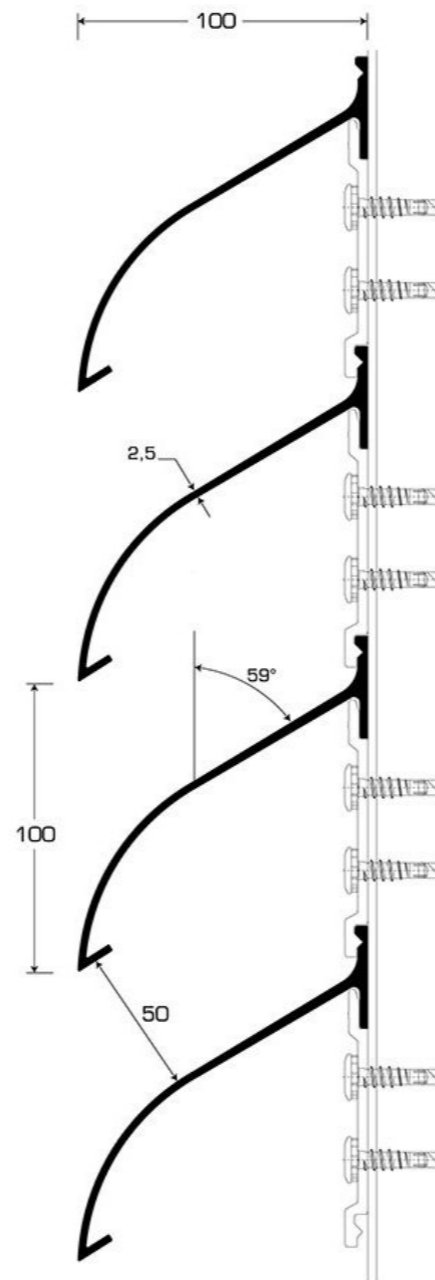
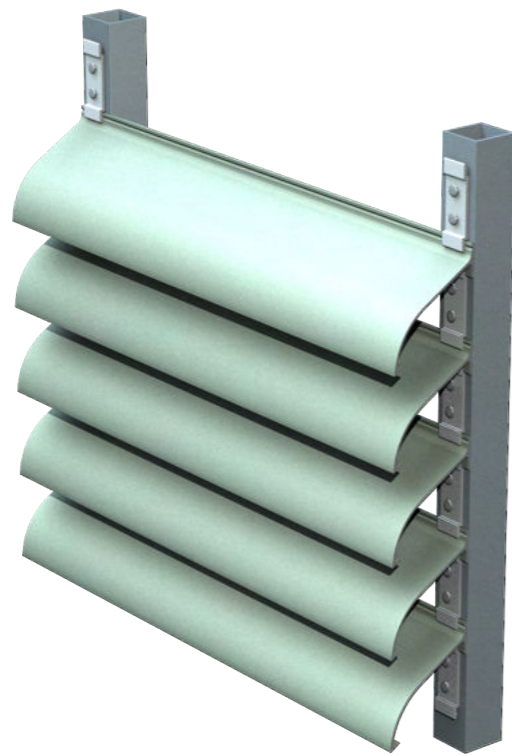
XAIR



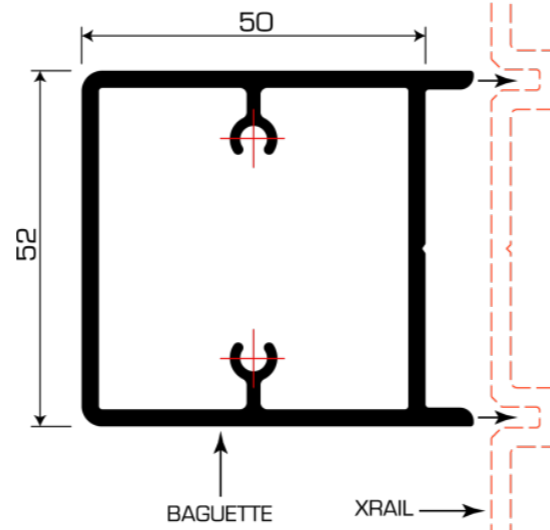
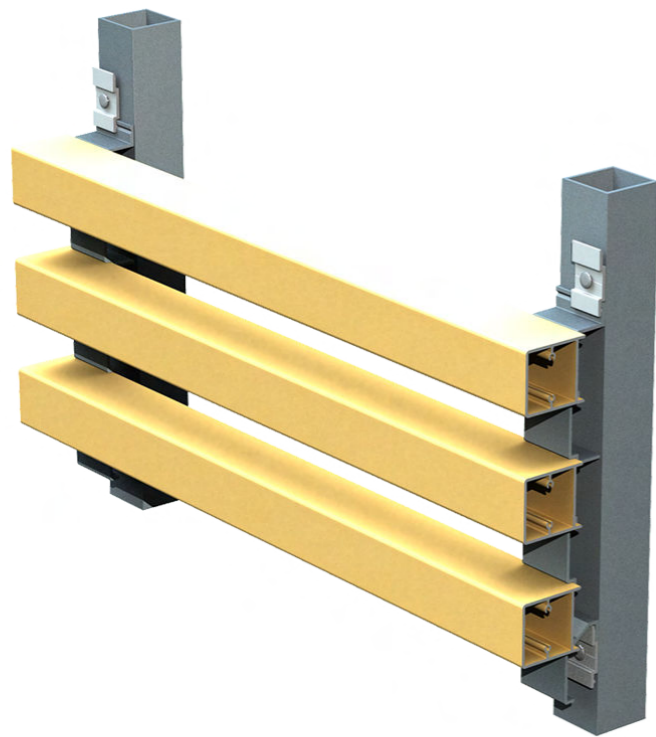
XAIR



XSHADE



BAGUETTE



V-LOCK FIXING CLIP

Our unique V-LOCK FIXING CLIP was designed to work with all profiles, in order to make installation as straight forward and fast as possible. It works exactly as you need it to, every time.

The clip provides a secret-fix installation method as it involves the use of a uniquely designed extruded aluminium fixing clip, which constrains the profiles to the substructure behind and is generically used to install all profile designs.

V-LOCK has been extensively tested through CWCT testing to test its mechanical strength and is fixed to the substructure using stainless steel self-drilling screws through the pre-drilled hole the clip is supplied

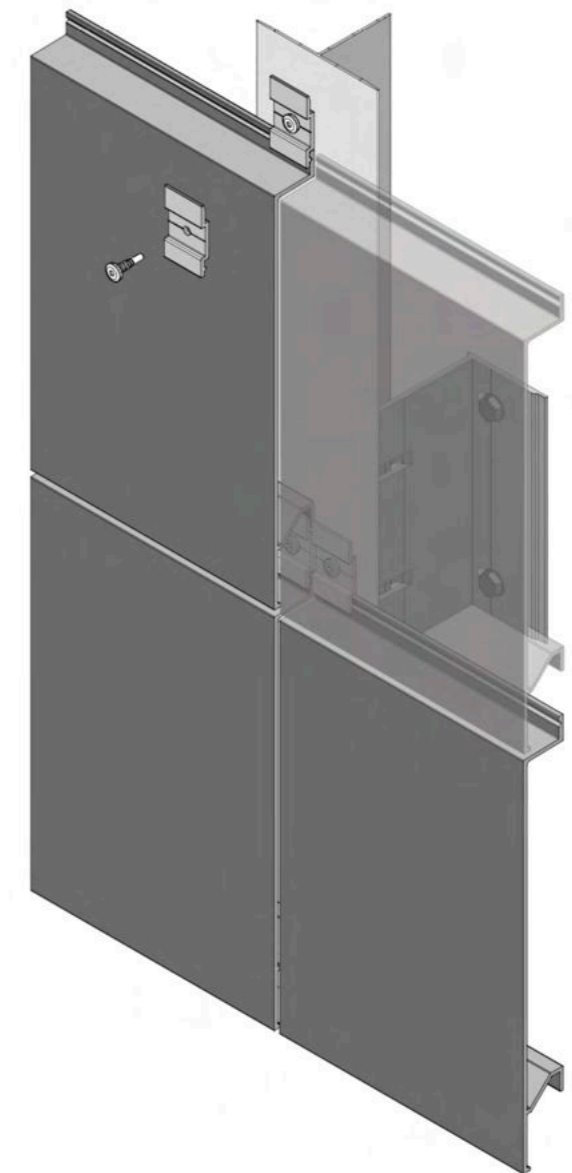
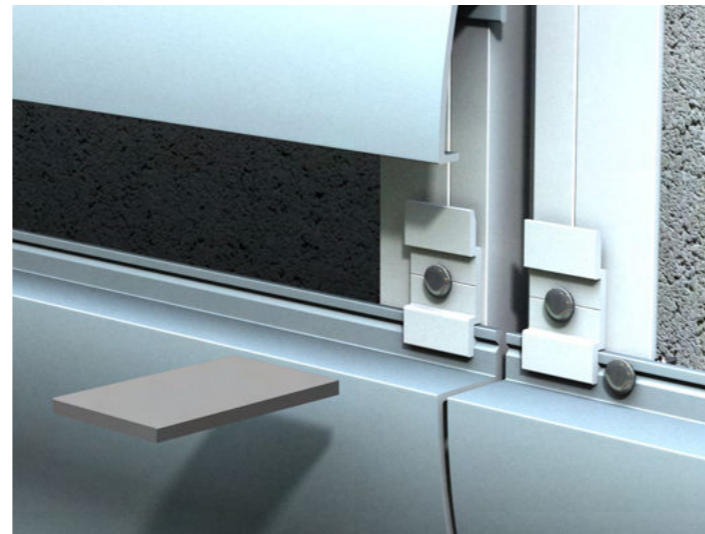
V-LOCK derives from the extruded shape of the clip, and its interlocking mechanical fix with the top of all profiles within our XPAN range. The V-LOCK FIXING CLIP is supplied with a pre-drilled hole. It is this design that provides both perfect alignment between profiles and a fast-track installation.

Depending on the chosen XPAN profile design, a standard 5mm longitudinal joint is achieved, and in order to avoid the excessive longitudinal sliding of profiles, due to thermal expansion and contraction, a fix-point screw fixing is required to the top of the profile.

INSTALLATION

All XPAN profiles are compatible with industry standard wall bracket and vertical T & L facade support systems.


The XPAN range can also be site applied or installed offsite to a number of preassembled solutions such as unitised facade systems or modular elements.



LETS CREATE EXTRAORDINARY ALUMINIUM FACADES
TOGETHER.

FINISH
Facades

WE LOOK FORWARD TO HEARING FROM YOU.

 0121 803 1900

 ESTIMATING@FINISHFACADES.CO.UK

XPAN
EXTRUDED ALUMINIUM PANELS

EXTRAORDINARY ALUMINIUM FACADES